

LOT-AI-CAM

- Object (People, Car, Truck, Motorcycle, or other customized objects) Detection
- Region entrance/exiting/intrusion detection
- Target Object Counting
- 3 Stream H.265/H.264/MJPEG
- 4MP 2592x1520, IP68 Protected





System

Image Sensor	1/2.8" Progress CMOS
Image Size	4 Mega Pixels, 2592 × 1520
Resolution	4MP (2592 × 1520), 2K (2560 × 1440), 3MP (2304 × 1296), 1080P (1920 × 1080) 720P (1280 × 720), D1, CIF, 480 × 240
Stream Mode	3 stream (H.265, H.264, MJPEG)
Main Stream	4MP / 2K / 3MP / 1080P / 720P @30fps
Sub Stream	720P / D1 / CIF @30fps
Third Stream	D1 / CIF / 480 x 240 @30fps
Sensitivity	0.005 lux @F1.6, AGC ON; 0 lux with IR
Sense-up	Sense up 2X ~ 30X (FLD) accumulation 0.0003Lux
Electronic Shutter	1/25(30), 1/50(60), FLK (1/100) ~ 1/10000
Bit Rate	64 Kbps ~ 8 Mbps, VBR / CBR
S/N ration	> 55dB (AGC off, AESC off, 2DNR on, 3DNR on)
Compression	H.265+ / H.265 / H.264+ / H.264 / MJPEG

Picture

Picture function	Brightness, Contrast, Sharpness, AGC, Gamma, ID ROI, Saturation, Shutter, BLC, HLC, WDR, Defog, DNR
ROI function	Each ROI to be configured separately
White Balance	ATW/ AWB-SET/ Indoor/ Outdoor/ Manual R-B level
WDR mode	120dB, Dual-WDR : High/ Middle/ Low/ Off
Noise processor	Smart NR / DNR, 2D , 3D : off/ on / level / AGC
Digitalize process	Title, Freeze, Mirror, Neg. Image, Motion, Privacy

Lens / IR

Lens	5 MP Lens, 2.6mm, 2.8mm, 3.6mm
IR	100m, IR 850nm, MTBF 10,000 hours
Day & Night	Auto/ Day (level)/ Night (level)/ Manual
ICR filter	ICR dual spectrum filter for day and night

Device

Power Supply	12V DC / PoE (IEEE 802.3af)
Consumption	< 9.5W
Ingress Protection	IP68
Chassis	Alloy aluminum diecast
Dimensions	217.7(L) x 80.5(W) x 80.5(H)mm, 690g
Operating Temp.	-35 ~ +60 °C, 10% ~ 90% humidity

AI Features

Object Detection	People, Car, Truck, Motorcycle
Perimeter	Line crossing, region entrance/exiting/intrusion
Target Counting	People, Car, Truck, Motorcycle counting

Network

Remote Monitoring	Web browsing, CMS remote control
Online Connection	Support simultaneous up to 10 users
Network Protocol	UDP, IPv4, IPv6, DHCP, NTP, RTSP, PPPoE, DDNS, SMTP, FTP, SNMP, HTTP, 802.1x, UPnP, HTTPs, QoS
Interface Protocol	ONVIF
Smart Alarm	Motion detection; SD card error; SD card full
General function	Watermark, IP address filtering, video mask, heartbeat, password , distortion correction no photosensitive switch

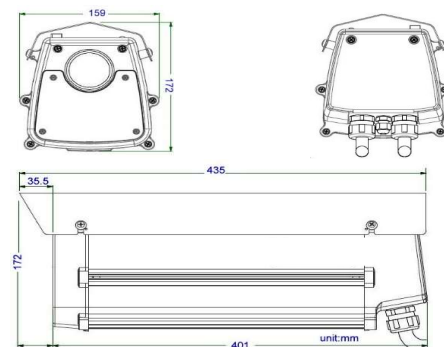
Interface

Network Interface	RJ45 × 1
Audio	Phone Jack 3.5mm x 1, G.711A / U
SD card	Built-in micro SD card slot; up to 128GB
Remote storage	Yes
Hardware reset	Yes

Mode Selection

LOT-AI-CAM	xx :26 , 2.6mm(120°) / 28 , 2.8mm(105°) / 3.6mm(94°)
------------	--

Dimension



Specification is subject to change without prior notification.